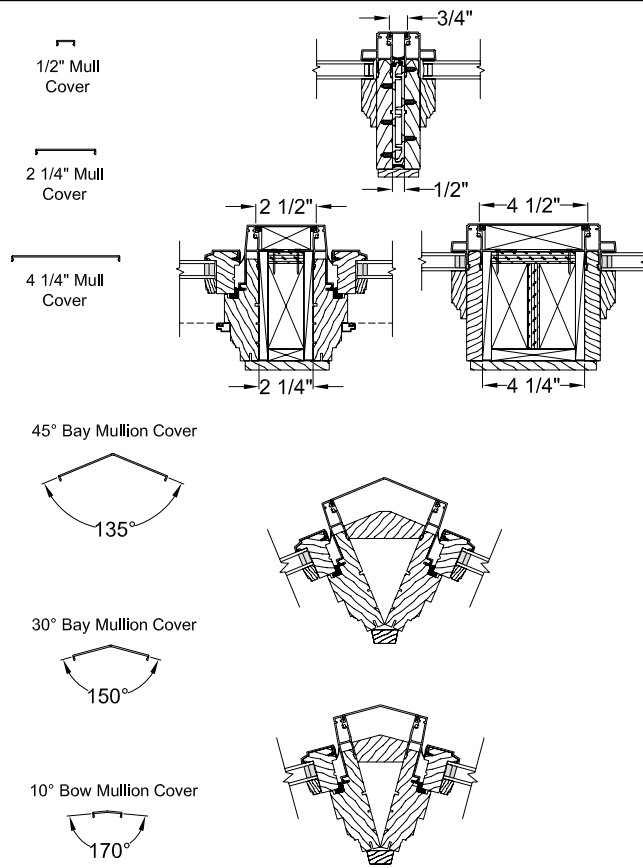
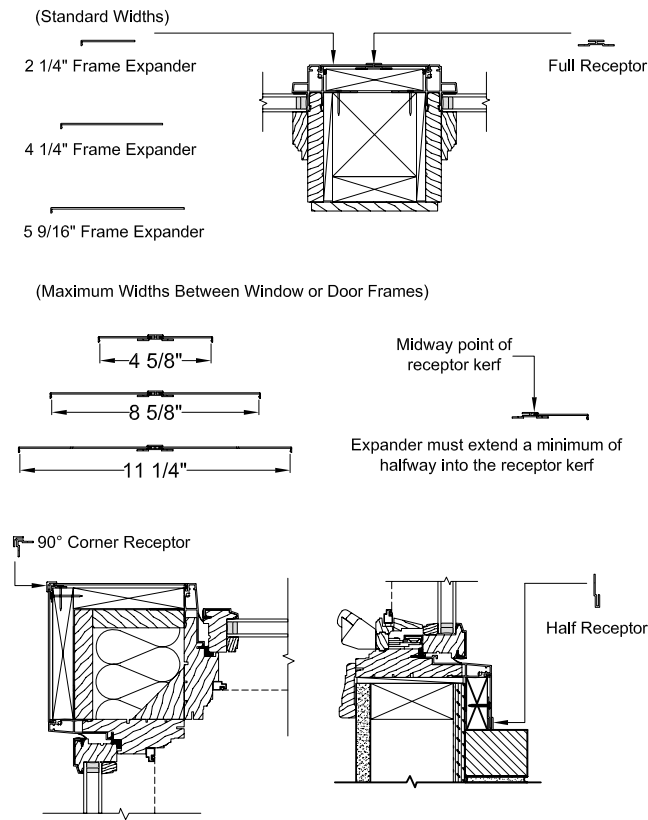


# CLAD & WOOD ACCESSORIES

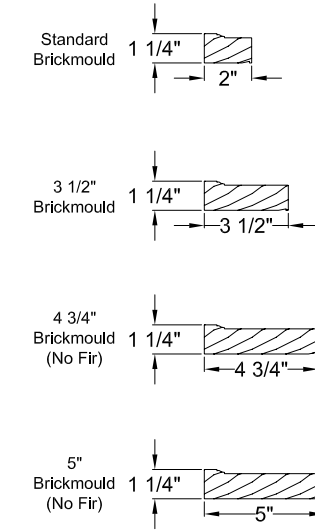
## Clad Mullion Covers / Application



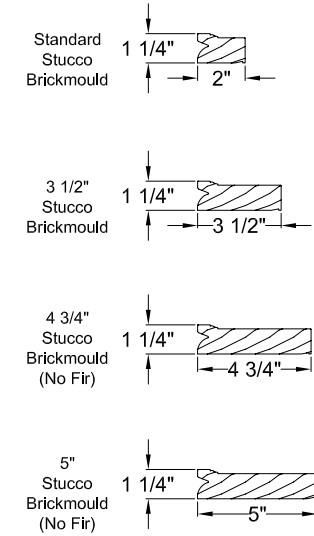
## Clad Frame Expander & Receptor / Application



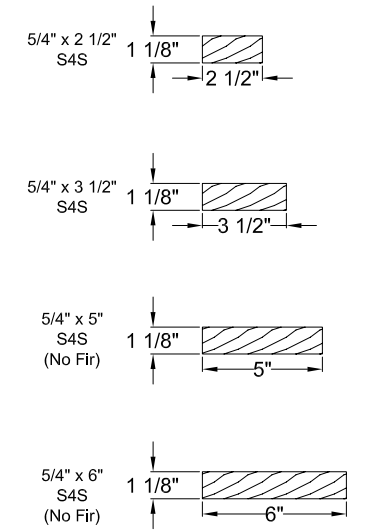
## Standard Brickmoulds



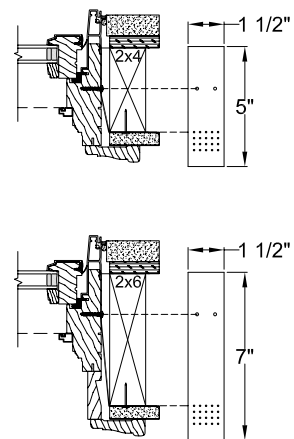
## Standard Stucco Brickmoulds



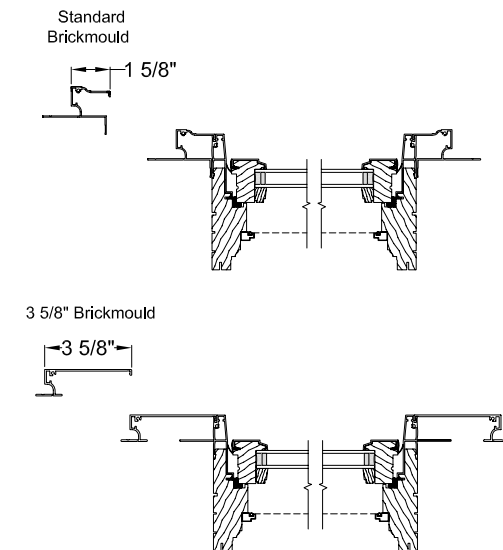
## Standard S4S Exterior Trims



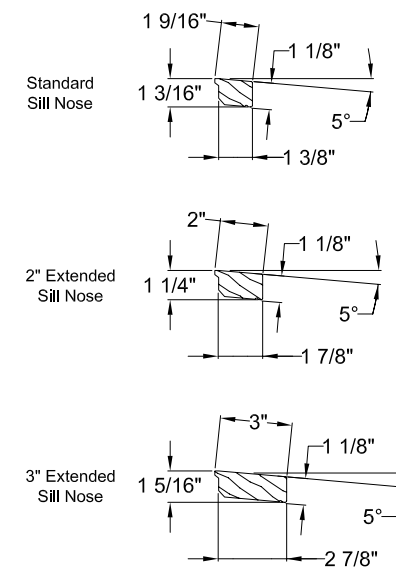
## Installation Clips



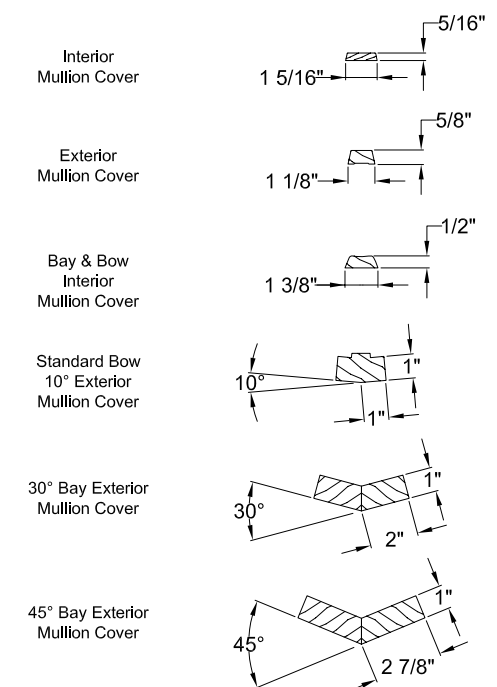
## Clad Brickmould



## Standard Exterior Sill Nose



## Mullion Covers



Scale: 1-1/2" = 1'-0"

Drawings have been simplified for clarity. They are not intended for installation purposes.

Scale: 1-1/2" = 1'-0"

Clad & Wood Accessories

Clad & Wood Accessories